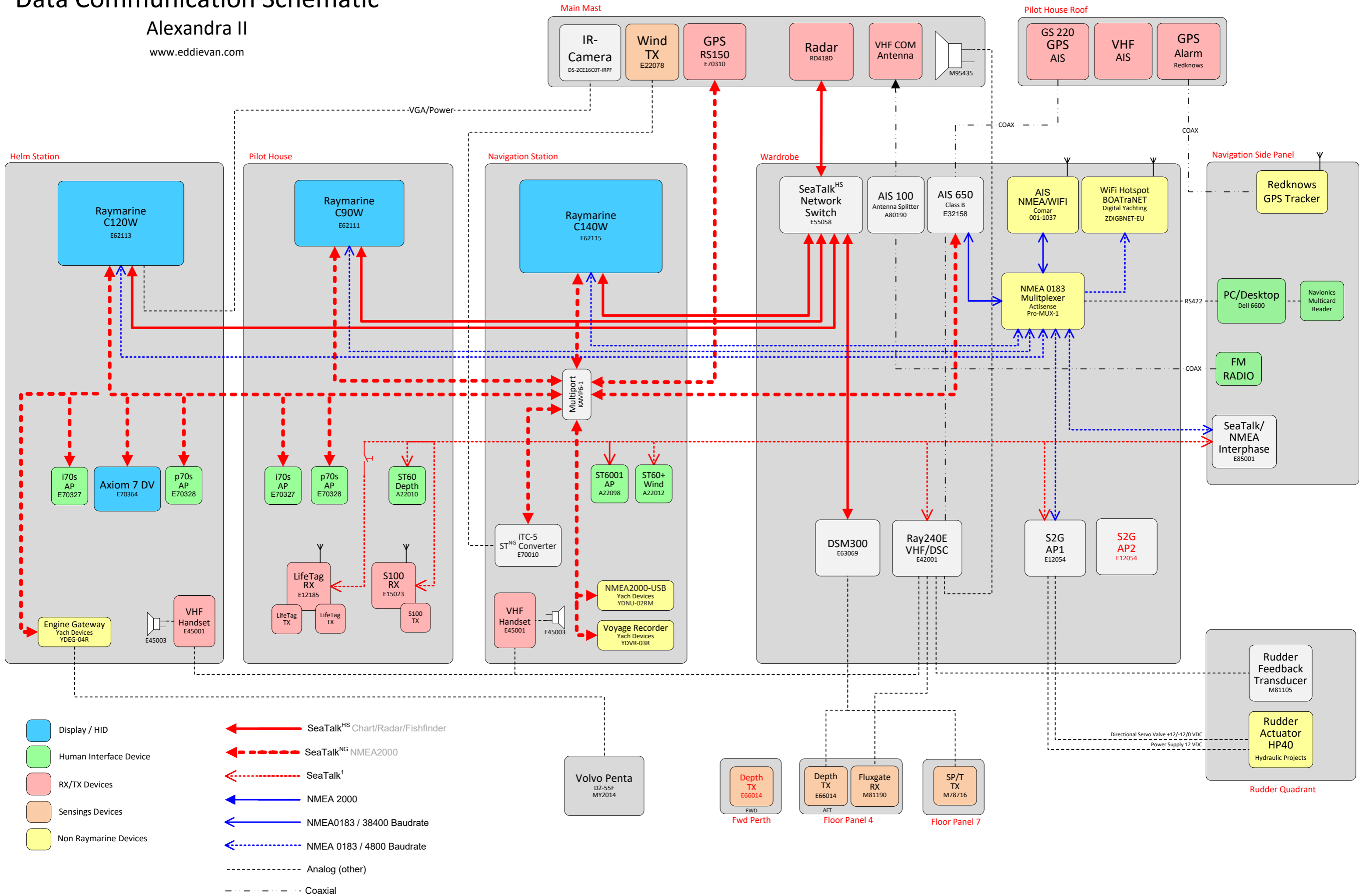


Data Communication Schematic

Alexandra II

www.eddievan.com



- Display / HID
- Human Interface Device
- RX/TX Devices
- Sensings Devices
- Non Raymarine Devices

- SeaTalk^{HS} Chart/Radar/Fishfinder
- SeaTalk^{NG} NMEA2000
- SeaTalk¹
- NMEA 2000
- NMEA0183 / 38400 Baudrate
- NMEA 0183 / 4800 Baudrate
- Analog (other)
- Coaxial